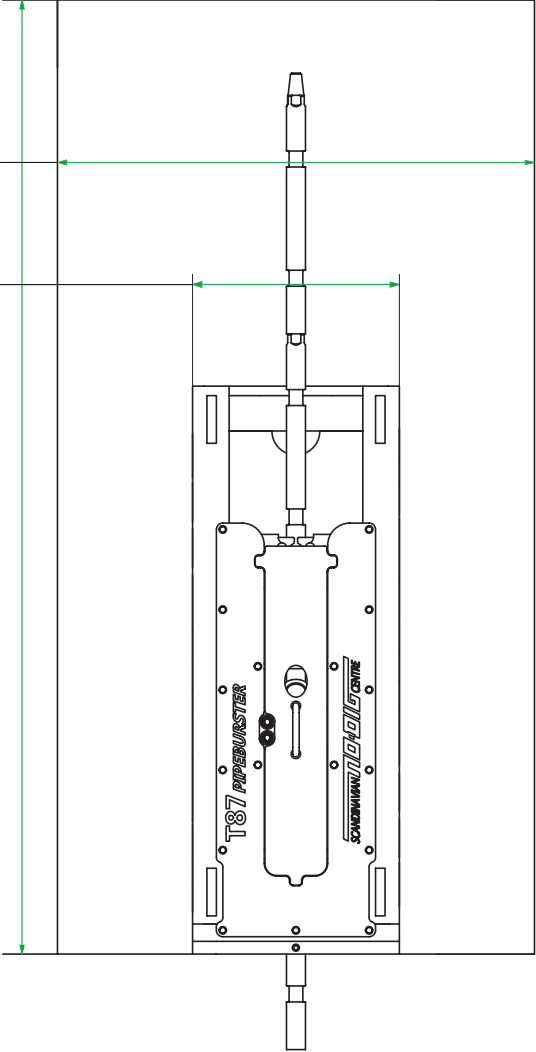
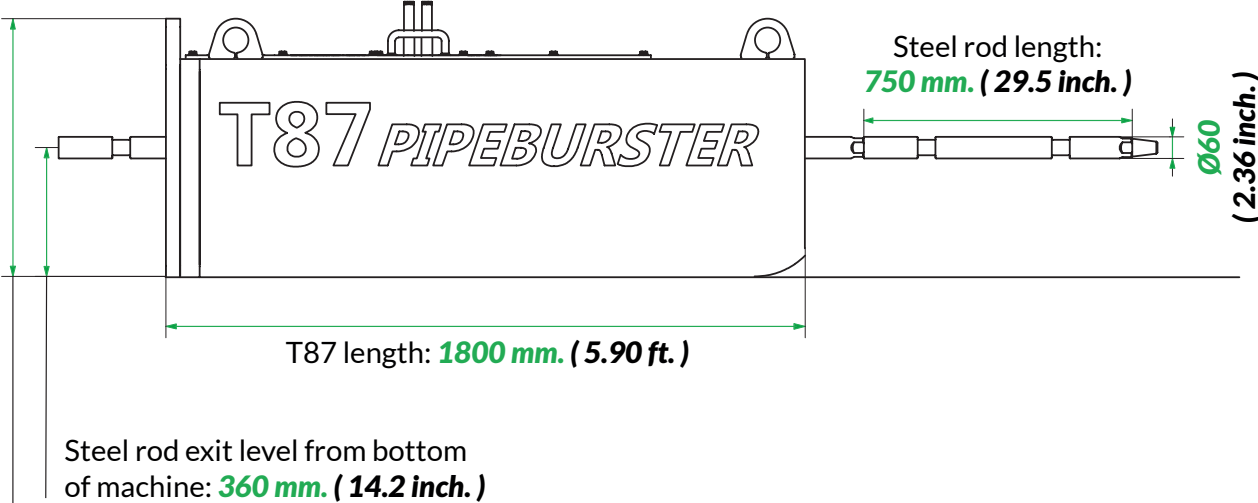


T87 STATIC PIPEBURSTER

SPECIFICATIONS & DATA SHEET





T87

Hydro-static pipeburster with 92 metric tons of pulling power (202825 lbs.)

Hydraulic Power Pack

T87 power pack, 25 bhp. diesel engine. 250 bar op. pressure.

Specifications	Pulling unit	Power pack	Steel rods
Pulling force	92 metric tons (202825 lbs.)		
Measurements	180 x 65 x 72 cm. (71 x 25.6 x 28.3 inch.)	120 x 110 x 120 cm. (47.2 x 43.3 x 47.2 inch.)	Std. Ø60 mm. x 0.75 meter. (2.36 x 29.5 inch.)
Weight	1400 kg. (3086 lbs.)	820 kg. (1807 lbs.)	Ø60 mm. steel rod: 15 kg. (33 lbs.)
Engine		Kubota 3-cyl. diesel 22 bhp. / 16,40 kW. Fuel cap. 35 ltr. (9.25 gal.) Fuel consumption: 5 ltr. / hr. (1.3 gal. / hr.)	
Hydraulic system	3 cylinders	Max. 250 bar / 3625 psi. Pump 1: 35.0 ltr. / min (9.25 gal. / min.) Pump 2: 22.5 ltr. / min (5.95 gal. / min.) Variable pump speed: < 70 bar. (1015 psi.) → 57.5 ltr. (15.2 gal.) / min. < 70 bar. (1015 psi.) → 22.5 ltr. (5.95 gal.) / min. Hydraulic oil cap: 85 ltr. (22.45 gal.)	
Operational speed	Up to 2.0 meter. / min. (6.5 ft. / min.)		
Operational range, Existing pipe diameter	Ø70 mm. → Ø450 mm. (3 → 16 inch.)		