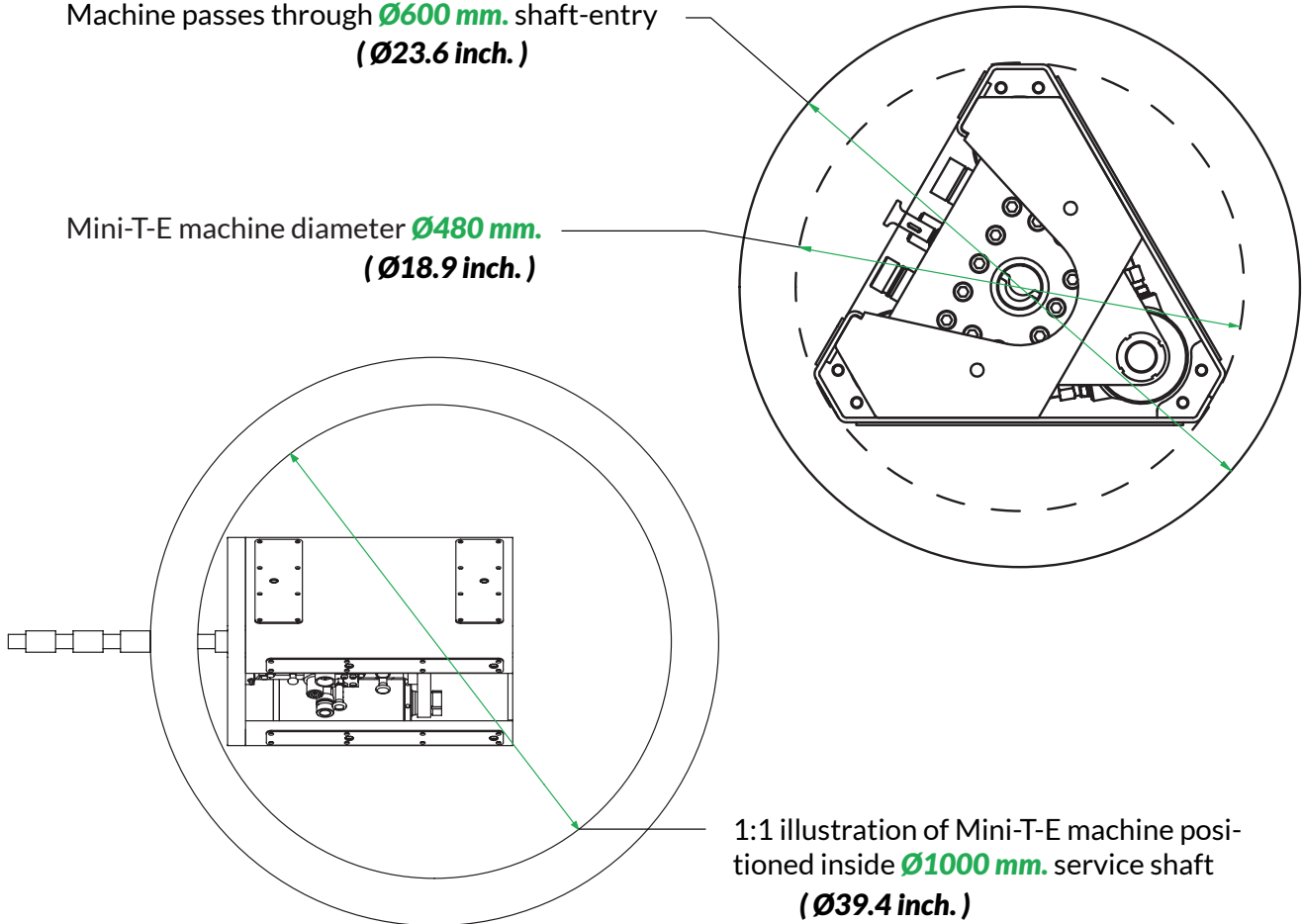


MINI-T ELECTRO-STATIC PIPEBURSTER

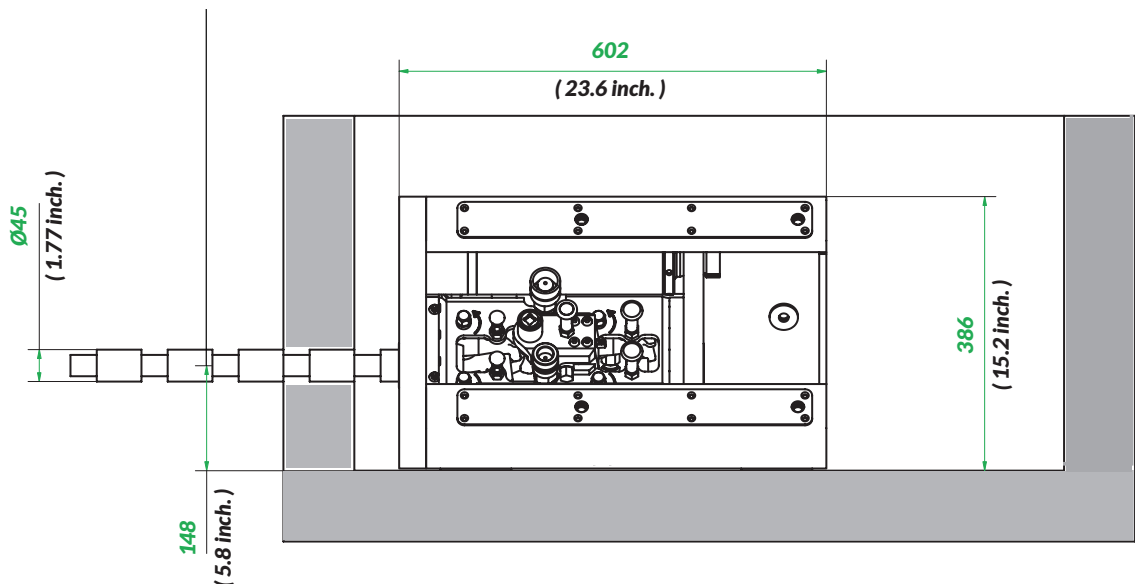
SPECIFICATIONS & DATA SHEET

Machine passes through $\text{Ø}600 \text{ mm.}$ shaft-entry
($\text{Ø}23.6 \text{ inch.}$)

Mini-T-E machine diameter $\text{Ø}480 \text{ mm.}$
($\text{Ø}18.9 \text{ inch.}$)



Length and height of Mini-T-E unit inside service shaft (side view).
Steel-rod exit level from bottom of service shaft: 148 mm. (5.8 inch.)





Mini-T-E

Electro-static pipeburster with 37 metric tons of pulling power (81600 lbs.)

PP07 Electric Power Pack

7.5 kW electric engine / 250 bar op. pressure.

Specifications	Pulling unit	Power pack	Steel rods
Pulling force	37 metric tons (81600 lbs.)		
Measurements	60 x 44 x 48 cm. (23.6 x 17.3 x 18.9 inch.)	80 x 60 x 136 cm. (31.5 x 23.6 x 53.5 inch.)	Std. Ø45 mm. x 0.30 meter. (1.77 x 11.80 inch.) Option Ø30 mm. x 0.30 meter. (1.18 x 11.80 inch.)
Weight	158 kg. (348 lbs.)	630 kg. (1388 lbs.)	Ø45 mm. steel rod: 2.90 kg. (6.4 lbs.) Ø30 mm. steel rod: 1.35 kg. (3.0 lbs.)
Engine		Electric engine 7.5 kW 400 volt 16 amp. 50 Hz. Connection: 3P + N + PE CEE	
Hydraulic system	3 cylinders	250 bar / 3625 psi. 1 variable pump < 100 bar / 60 ltr. / min. (< 1450 psi. / 15.8 gal. / min.) Hydraulic oil cap. 60 ltr. (15.8 gal.)	
Operational speed	Up to 1.0 meter. / min. (3.3 ft. / min.) Cylinder stroke: 10 cm. (3.9 inch.)		
Operational range, Existing pipe diameter	Ø40 mm. → Ø250 mm. (1.5 → 10.0 inch.)		