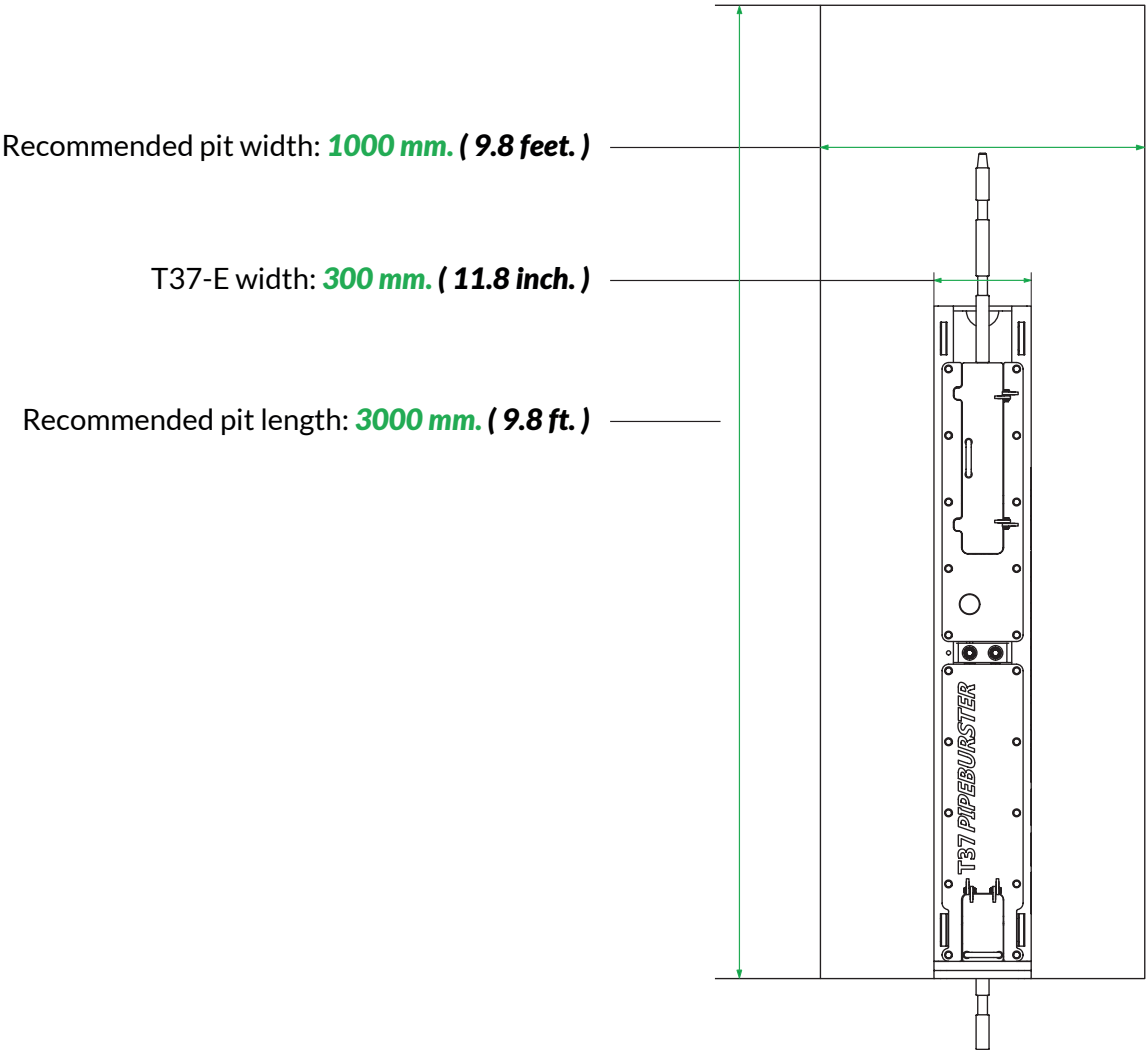
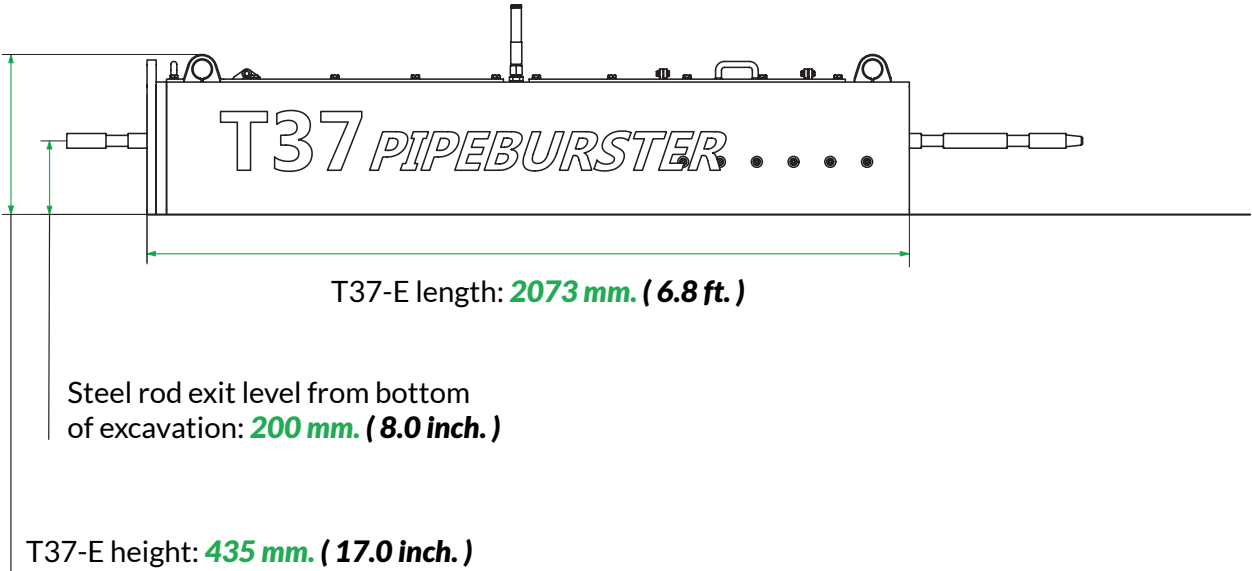
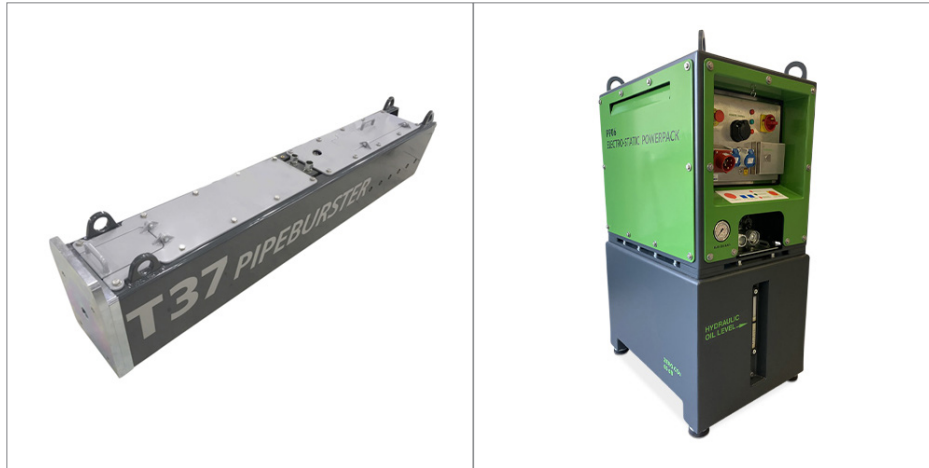


# T37 ELECTRO-STATIC PIPEBURSTER

## SPECIFICATIONS & DATA SHEET





### T37-E

Electro-static pipeburster with 41 metric tons of pulling power (90400 lbs.)

### PP07 Electric Power Pack

7.5 kW electric engine / 250 bar op. pressure.

Specifications	Pulling unit	Power pack	Steel rods
<b>Pulling force</b>	41 metric tons ( 90400 lbs. )		
<b>Measurements</b>	207 x 30 x 44 cm. ( 81.5 x 11.8 x 17.3 inch. )	80 x 60 x 136 cm. ( 31.5 x 23.6 x 53.5 inch. )	Std. Ø40 mm. x 1.00 meter. ( 1.77 x 11.80 inch. )
<b>Weight</b>	480 kg. ( 1058 lbs. )	630 kg. ( 1388 lbs. )	Ø40 mm. steel rod: 10.0 kg. ( 22 lbs. )
<b>Engine</b>		Electric engine 7.5 kW. 400 volt 16 amp. 50 Hz  Connection: 3P + N + PE CEE	
<b>Hydraulic system</b>	1 cylinder Hollow-design	Max. 250 bar / 3625 psi.  1 variable pump  < 100 bar. / 60 ltr. / min. ( < 1450 psi. / 15.8 gal. / min. )  Hydraulic oil cap: 60 ltr. ( 15.8 gal. )	
<b>Operational speed</b>	Up to 2.0 meter. / min. ( 6.5 ft. / min )		
<b>Operational range, Existing pipe diameter</b>	Ø50 mm. → Ø250 mm. ( 2 → 10.0 inch. )		