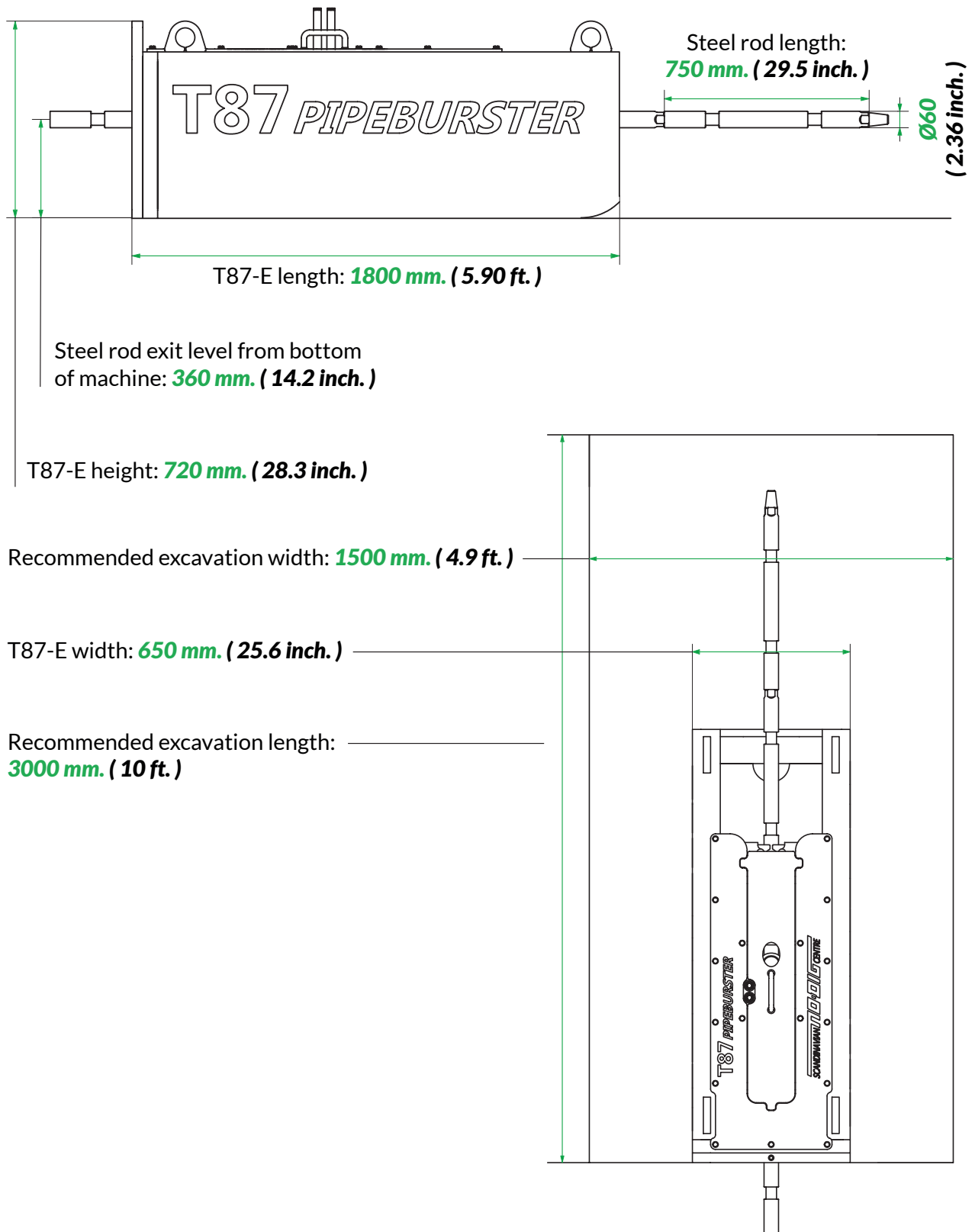
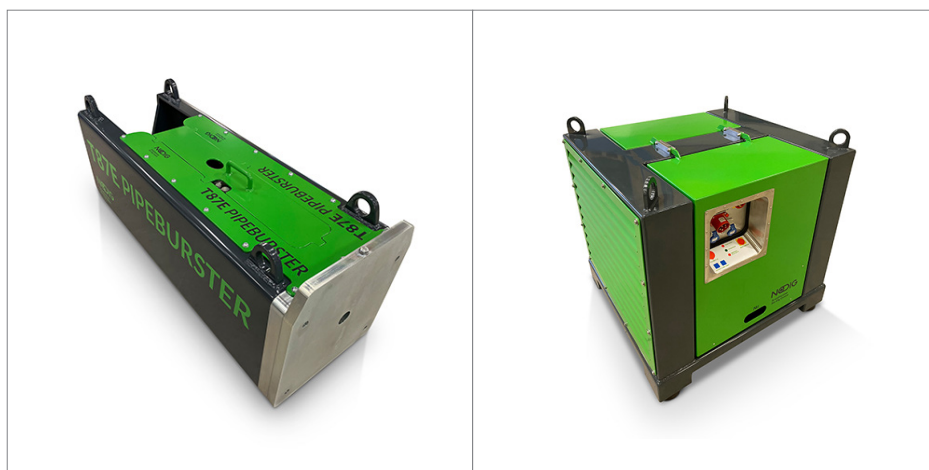


T87 ELECTRO-STATIC PIPEBURSTER

SPECIFICATIONS & DATA SHEET





T87

Hydro-static pipeburster with 92 metric tons of pulling power (202825 lbs.)

Hydraulic Power Pack

15 kw. 32 amp. electric engine
250 bar op. pressure.

Specifications	Pulling unit	Power pack	Steel rods
Pulling force	92 metric tons (202825 lbs.)		
Measurements	180 x 65 x 72 cm. (71 x 25.6 x 28.3 inch.)	120 x 110 x 120 cm. (47.2 x 43.3 x 47.2 inch.)	Std. Ø60 mm. x 0,75 meter. (2.36 x 29.5 inch.)
Weight	1400 kg. (3086 lbs.)	820 kg. (1807 lbs.)	Ø60 mm. steel rod: 15 kg. (33 lbs.)
Engine		Electric engine 15 kW. 400 volt 32 amp. 50 Hz. Connection: 3P + N + PE CEE Aux. 230 volt / 1200 W	
Hydraulic system	3 cylinders	Max 250 bar (3625 psi.) Hydraulic oil cap. 115 ltr. 84 ltr. / min. (3000 rpm.)	
Operational speed	Up to 2.0 meter. / min. (6.5 ft. / min.)		
Operational range, Existing pipe diameter	Ø70 mm. → Ø400 mm. (3 → 16 inch.)		