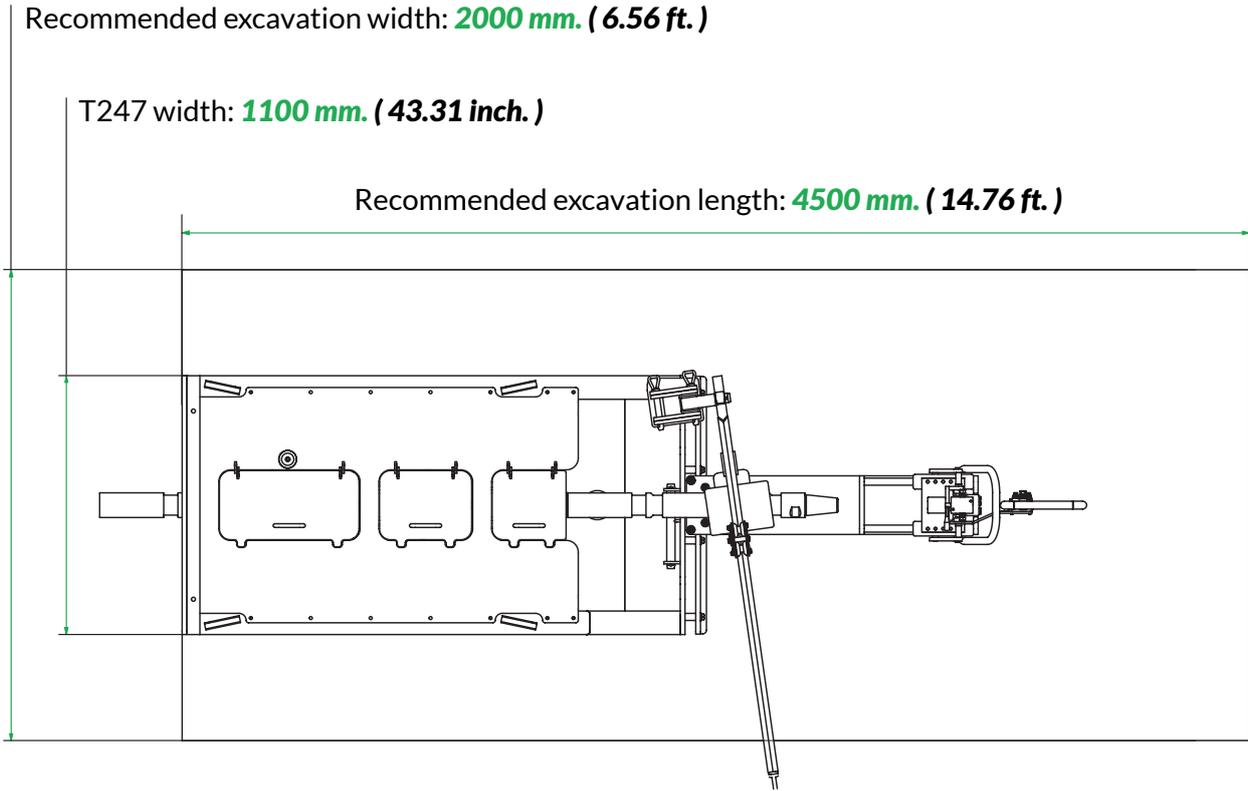
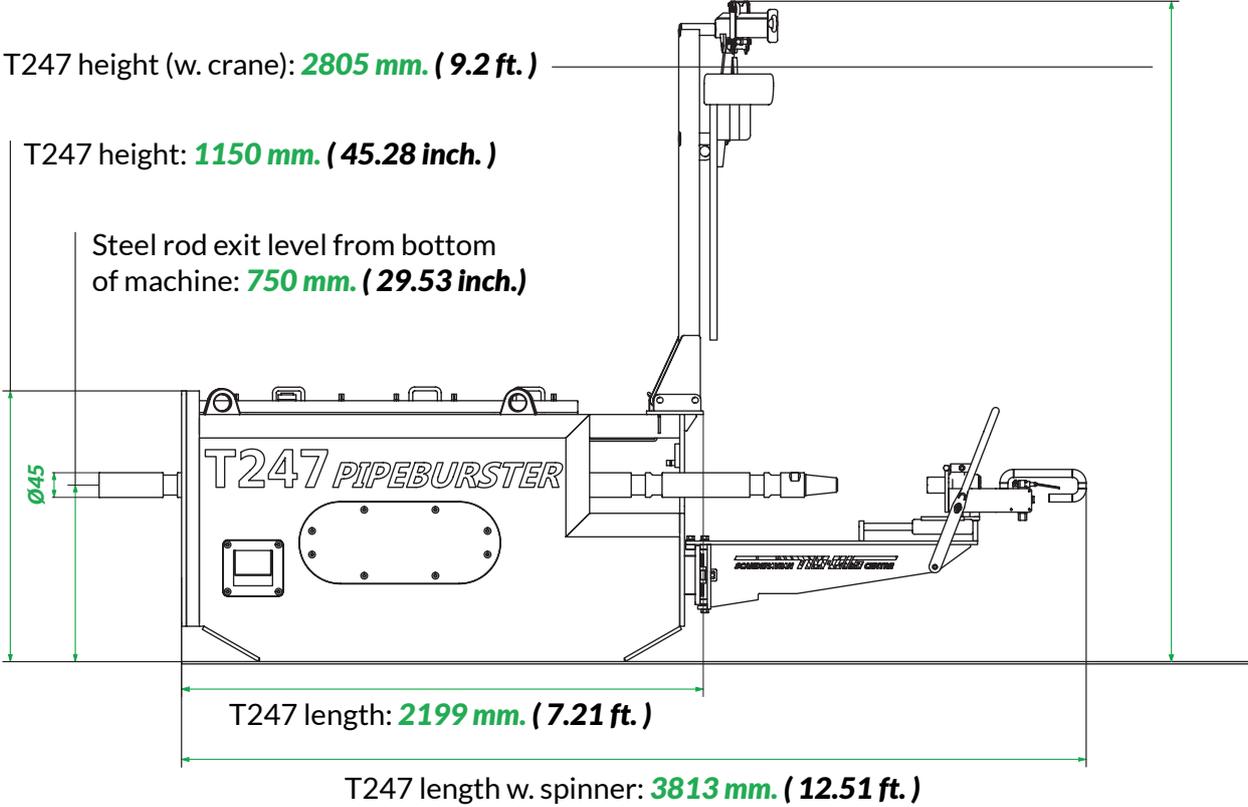


T247 STATIC PIPEBURSTER

SPECIFICATIONS & DATA SHEET





T247

Hydro-static pipeburster with 247 metric tons of pulling power (544542 lbs.)

Hydraulic Power Pack

T247 power pack. Volvo Penta diesel with turbo / Intercooler.

Specifications	Pulling unit	Power pack	Steel rods
Pulling force	247 metric tons (544542 lbs.)		
Measurements	220 x 110 x 115 cm. (86.6 x 43.3 x 45.3 inch.)	270 x 150 x 165 cm. (106.3 x 59.1 x 65 inch.)	Ø105 mm. x 1.0 meter (4.1 x 39.4 inch.)
Weight	4000 kg. (8818 lbs.)	3500 kg. (7716 lbs.)	Ø105 mm. steel rod; 64 kg. (141 lbs.)
Engine		VOLVO PENTA DIESEL Inter cooler / turbo charged. 143 bhp. / 105 kW. Fuel cap. 300 ltr. (65.99 gal.) Air compressor system 240 volt outlet (1200 w)	
Hydraulic system	3 cylinders	250 bar / 3625 psi. Hydraulic oil cap. 600 ltr. (131.98 gal.) Variable 1-circuit hyd. pump 160 ltr. / min. (35.2 gal. / min.) measured at 2000 rpm. / min.	
Operational speed	Up to 2.0 meter. / min. (6.6 ft. / min.) Stroke; 50 cm. (19.9 inch.)		
Operational range, Existing pipe diameter	Ø150 mm. → Ø800 mm. (5.9 → 31.5 inch.)		